

GSX8-LS-4G

M2M Data Logger
Optimized Low Power



The **GSX8-LS-4G** is an **IP68-rated** industrial gateway featuring an integrated display for use in hazardous environments. Optimized for **LTE Cat 1 M2M/IoT** applications, its high-efficiency architecture is ideal for **battery-powered** deployments. The on-board LCD enables real-time data visualization for immediate on-site equipment adjustment.

Key Specifications:



Battery Life: provides 5~10 years non-stop operation in low power sleep mode.



LTE Bands: built with LTE Cat 1 module covering 4G bands worldwide.



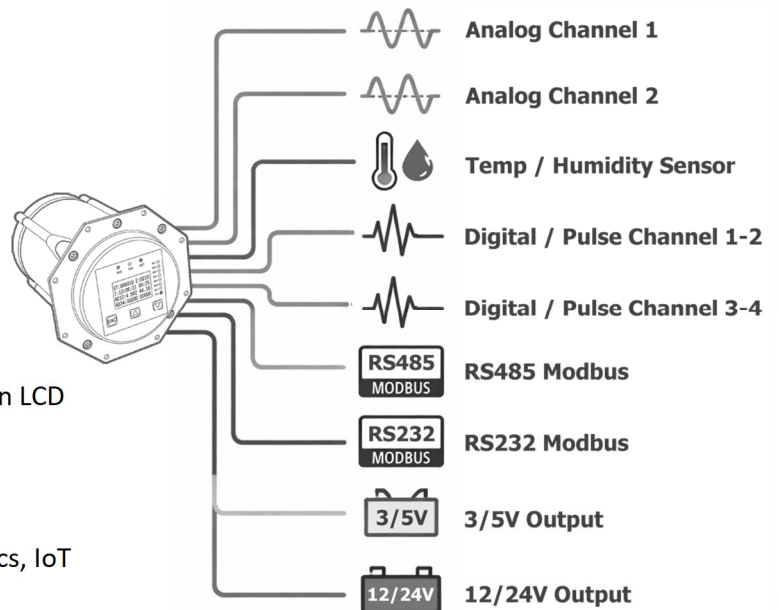
Industrial Ruggedness: sealed in IP68 enclosure for hazardous environments.



Display: offers 4 x 16 LCD screen for instant visibility of sensors data.

Key Benefits:

- ✓ High-efficient low power LTE CAT1 module
- ✓ Cost effective using low bandwidth LTE
- ✓ Protocols: UDP, TCP
- ✓ Up to 10 years battery operation
- ✓ Real time device status LED
- ✓ Live display of device information and data on LCD
- ✓ Backward compatible with GSM
- ✓ Turnkey solution ready
- ✓ Best for smart meters, environmental, logistics, IoT



Features

- * Programmable Server IP or DDNS, and port
- * Multiple Protocol TCP, UDP
- * Packet Data with low running power and cost
- * Live Data and Alarm
- * Live Data View on LCD
- * Programmable data upload interval: 1 min ~ 24 hr
- * Programmable data logging interval: 5 ~ 60 min
- * Programmable High/Low Alarm Level
- * Internal 2MB memory ~ 20000 records

Characteristics

- Supply Voltage: 6 ~ 9VDC
- Storage Temperature: -40 ~ 125 °C
- Operating Temperature: -40 ~ 80 °C
- Standby: 5mA
- Sleep Mode: 5uA
- IP68 PVC case
- 190 x Ø120mm
- 4 x waterproof connector
- Large screen display:
 - ✓ Real time data
 - ✓ Device status



RS232 & RS485 Modbus

- Compatible with:
 - ✓ Siemens MAG 8000
 - ✓ Elster EK220
 - ✓ Corus PTZ

Data (Europe)

- LTE FDD: 10Mbps (DL)/5Mbps (UL)
B1/ 3/ 5/ 7/ 8/ 20/ 28
- LTE TDD: 10Mbps (DL)/5Mbps (UL)
B38/ 40/ 41
- GSM GPRS: 107Kbps (DL)/85.6Kbps (UL)

Data (America)

- LTE FDD: 10Mbps (DL)/5Mbps (UL)
B1/ 2/ 3/ 4/ 5/ 7/ 8/ 28/ 66
- LTE TDD: 10Mbps (DL)/5Mbps (UL)
B38/ 40/ 41
- GSM GPRS: 107Kbps (DL)/85.6Kbps (UL)

GSX8-LS-4G

- 2 analog 4~20mA
 - 16-bit independent A/D converter
 - 250-ohm input impedance
- 1 temperature, ~55 ~ 125 °C, +/-0.5°C
- 1 temperature humidity
 - -55 ~ 125 °C, +/-0.3°C
 - 0~100%RH, +/-5%
- 4 pulse counters, up to 40 pulse/s
- 4 digital alarm, dry contact
- 3, 5VDC power output
- 12, 24VDC power output
- RS232 & RS485 Modbus port
- Data Registers: 8 x floating, 8 x integer

Power Options

- 1) High-capacity battery, average 5 years
- 2) Solar controller built-in

Software bundled

- Setup Software (USB and SMS)
- Data Receiving Centre Software
- Premier Client Lite for Win11, iOS, Android

GSX8 Server Client Software

- Paid Add-on

